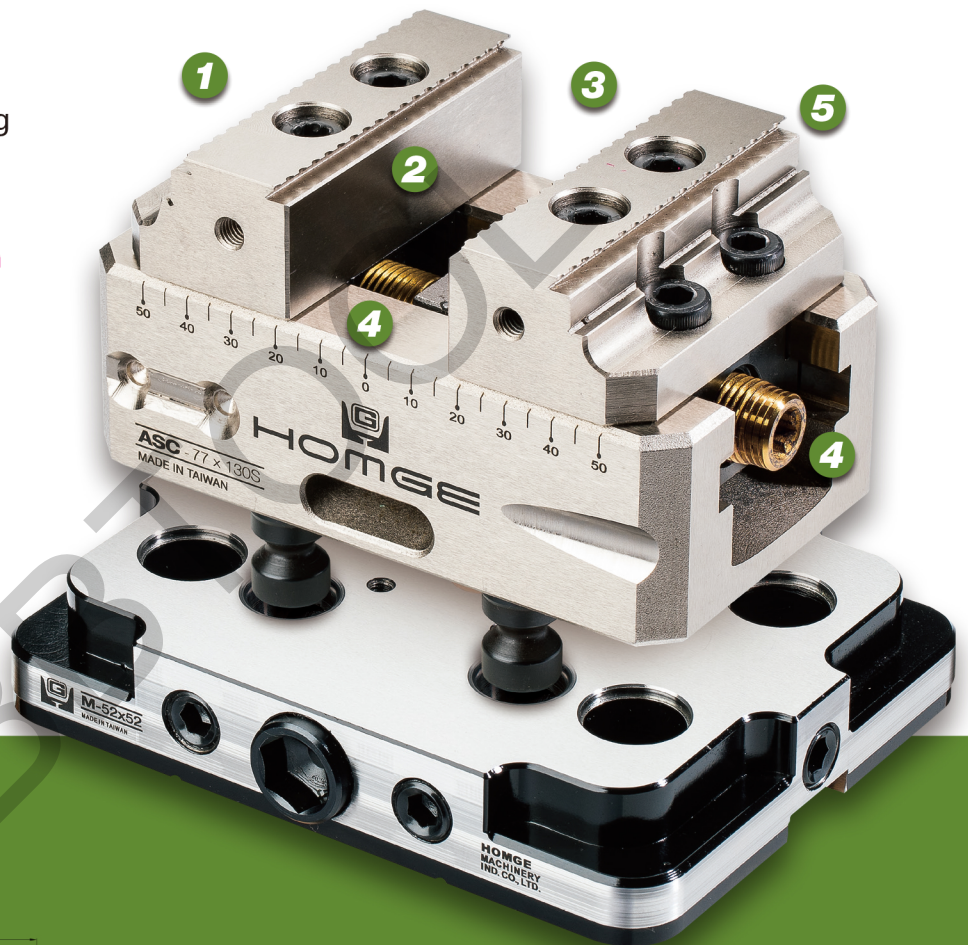


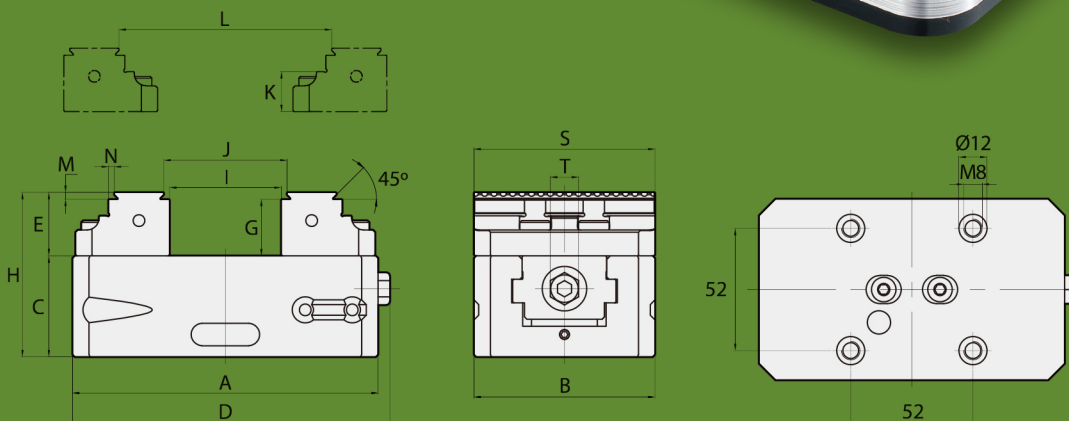
# FIVE-AXIS ADJUSTABLE SELF-CENTERING VISE

## Model: ASC-77x130S

1. Vise body is made of **High quality Steel (S50C)** and its slideways gone through high-frequency hardening to achieve **HRC50°**, which makes the whole part durable.
2. Detachable jaws are made of **High quality Tool Steel (SCM440)** and gone through carburizing to achieve **HRC55°**. Since both sides are fixed size and able to be used as a datum, users can reverse them to increase clamping range.
3. The vise's clamping force can achieve **1300KG**, the repeatability positioning precision of its clamping center is within **0.015mm**.
4. Users can calibrate the clamping center of vise by adjusting the screws on both ends.
5. The **45° dovetail structure with teeth** on the upper jaw ensures the bottom of the workpiece to be firmly clamped.



## DIMENSIONS



## SPECIFICATIONS

1 Material: Vise body S50C, HRC50° / Detachable Jaws SCM440, HRC55°

Unit: mm

| Model       | A   | B  | C  | D   | E  | G  | H  | I  | J  | K  | L   | M | N   | S  | T  | Weight (kg) |
|-------------|-----|----|----|-----|----|----|----|----|----|----|-----|---|-----|----|----|-------------|
| ASC-77x130S | 130 | 77 | 43 | 135 | 27 | 24 | 70 | 57 | 62 | 17 | 100 | 3 | 2.5 | 77 | 12 | 3.5         |

# OPTIONAL ACCESSORIES

## MASTER PALLET ( Base Plate )

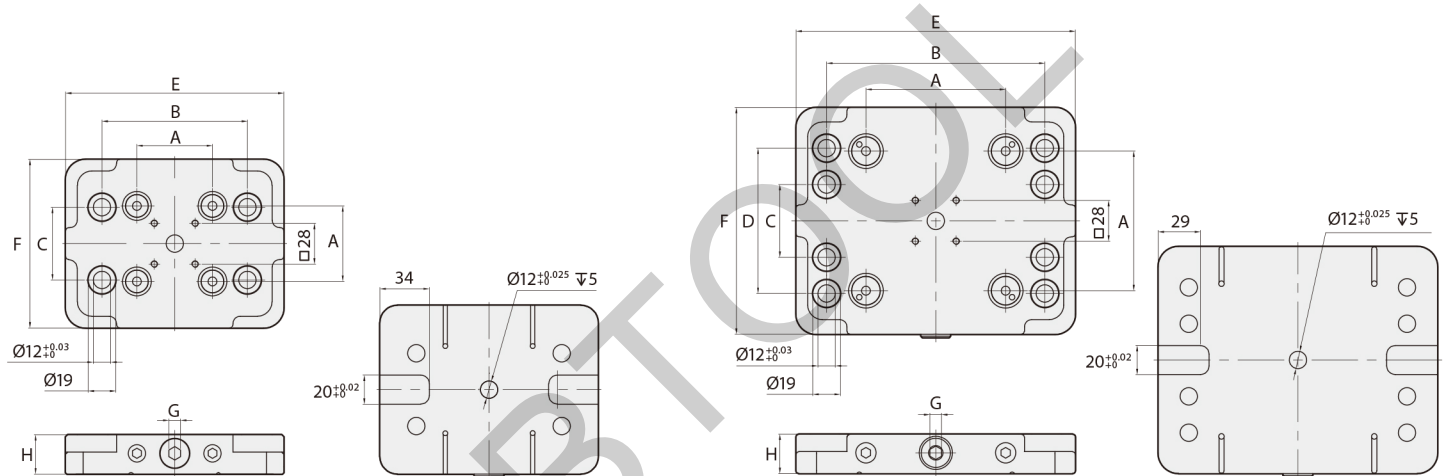
### Model: M-52x52, M-96x96



M-52x52



M-96x96



#### SPECIFICATIONS

Unit: mm

| Model   | A       | B        | C       | D        | E   | F   | G | H       | Weight (kg) |
|---------|---------|----------|---------|----------|-----|-----|---|---------|-------------|
| M-52x52 | 52±0.01 | 100±0.01 | 50±0.01 | -        | 150 | 116 | 8 | 27±0.01 | 3           |
| M-96x96 | 96±0.01 | 150±0.01 | 50±0.01 | 100±0.01 | 192 | 156 | 8 | 27±0.01 | 5.5         |

## Pull Stud ( for M-52x52 )

Model: M-52x52PS

- 4pcs / set
- Weight: 0.16 kg / set



## Pull Stud ( for M-96x96 )

Model: M-96x96PS

- 4pcs / set
- Weight: 0.28 kg / set

